

**BRINKMANN®**

**SMOKE 'N GRILL®**  
CHARCOAL SMOKER AND GRILL

**COOK'N CAJUN®**  
DS-30 CHARCOAL SMOKER AND GRILL

**OWNER'S MANUAL**  
ASSEMBLY AND OPERATION INSTRUCTIONS

**⚠ WARNING**

READ AND FOLLOW ALL WARNINGS AND INSTRUCTIONS IN THIS MANUAL TO AVOID PERSONAL INJURY OR PROPERTY DAMAGE.



# IMPORTANT SAFETY WARNINGS

WE WANT YOU TO ASSEMBLE AND USE YOUR SMOKER AS SAFELY AS POSSIBLE.

THE PURPOSE OF THIS SAFETY ALERT SYMBOL 

IS TO ATTRACT YOUR ATTENTION TO POSSIBLE HAZARDS AS YOU ASSEMBLE AND USE YOUR SMOKER.  
WHEN YOU SEE THE SAFETY ALERT SYMBOL, PAY CLOSE ATTENTION TO THE INFORMATION WHICH FOLLOWS!

 **READ ALL SAFETY WARNINGS & INSTRUCTIONS CAREFULLY  
BEFORE ASSEMBLING AND OPERATING YOUR SMOKER.**

## WARNING

- Only use this smoker on a hard, level, noncombustible, stable surface (concrete, ground, etc.). Never use on wooden or other surfaces that could burn.
- Always use a drip pan/ash guard under smoker to protect surface from heat damage and/or discoloration and to catch ashes, embers and drippings. Place a thin layer of water in drip pan/ash guard to help extinguish falling ashes and embers. A drip pan/ash guard is designed for use with a smoker for easy clean up of drippings that can cause discoloration of surface and to catch falling ashes and embers.
- Proper clearance of 10 feet between the smoker and combustible material (bushes, trees, wooden decks, fences, buildings, etc.) or construction should be maintained at all times when smoker is in use. Do not place smoker under a roof overhang or other enclosed area.
- For household use only. Do not use this smoker for other than its intended purpose.
- For outdoor use only. Do not operate smoker indoors or in an enclosed area as it is a fire hazard, and burning charcoal produces toxic fumes.
- Do not leave smoker unattended when in use.
- Water pan should always be used when smoking. Do not allow liquid in water pan to completely evaporate. Check water pan every 2 hours and add water if level is low (a sizzling sound may indicate a need for water). Follow instructions in "Adding Water During Cooking" section of this manual.
- Always keep water in water pan even after food is removed from smoker. Water will evaporate and grease in water pan can catch on fire.
- Use extreme caution when adding charcoal/wood. Follow instructions in "Adding Charcoal/Wood During Cooking" section of this manual.
- Never move smoker when it is in use or when water pan contains hot liquids.
- Do not store or use smoker near gasoline or other flammable liquids, gases or where flammable vapors may be present.
- We recommend the use of a Charcoal Chimney Starter to avoid the dangers associated with charcoal lighting fluid. If you choose to use charcoal lighting fluid, only use lighting fluid approved for lighting charcoal. Carefully read instructions on the charcoal lighting fluid and charcoal prior to use.
- When using charcoal lighting fluid, allow charcoal to burn until covered with a light ash (approximately 20 minutes) prior to closing door and placing dome lid on smoker. This will allow charcoal lighting fluid to burn off. Failure to do this could trap fumes from charcoal lighting fluid in smoker and may result in a flash-fire or explosion when door is opened or dome lid is removed.
- Never use charcoal that has been pre-treated with lighter fluid. Use only high grade plain charcoal or charcoal/wood mixture.
- Do not use gasoline, kerosene or alcohol for lighting charcoal. Use of any of these or similar products will cause an explosion possibly leading to severe bodily injury.

## **WARNING**

- Never add charcoal lighting fluid to hot or even warm coals as flashback may occur causing severe burns.
- When grilling, grease from meat may drip into the charcoal and cause a grease fire. If this should happen replace dome lid to suffocate the flame. Do not use water to extinguish grease fires.
- Use caution since flames can flare-up when fresh air suddenly comes in contact with fire. When opening the dome lid, keep hands, face and body safe from hot steam and flame flare-ups. Remove the dome lid by tilting it toward you to allow heat and steam to escape away from your face.
- Use caution when assembling and operating your smoker to avoid scrapes or cuts from sharp edges of metal parts.
- Check support brackets to make sure they are secure and notches are upright before each use.
- Place smoker in an area where children and pets cannot come into contact with unit. Close supervision is necessary when smoker is in use.
- Use caution when lifting or moving smoker to prevent strains and back injuries.
- In windy weather, place smoker in an outdoor area that is protected from the wind.
- Do not wear loose clothing or allow hair to hang freely while using smoker.
- Use caution when reaching into or under smoker. Always wear oven mitts or gloves to protect your hands from burns. Avoid touching hot surfaces.
- We advise that a fire extinguisher be on hand. Refer to your local authority to determine proper size and type of fire extinguisher.
- Accessory attachments not manufactured by The Brinkmann Corporation for this particular product are not recommended and may lead to personal injury or property damage.
- Never leave coals and ashes in smoker unattended.
- Before smoker can be left unattended, remaining coals and ashes must be removed from smoker and completely extinguished. Use caution to protect yourself and property. Place remaining coals and ashes in a noncombustible metal container or leave in charcoal pan and completely saturate with water. Allow coals and water to remain in metal container 24 hours prior to disposing.
- Extinguished coals and ashes should be placed a safe distance from all structures and combustible materials.
- With a garden hose, completely wet the surface beneath and around smoker to extinguish any ashes, coals or embers which may have fallen during the cooking or cleaning process.
- Store the smoker out of reach of children, indoors in a dry location when not in use.
- Do not attempt to service smoker other than normal maintenance as explained in "After-Use Safety and Proper Care & Maintenance" sections of this manual. Repairs should be performed by The Brinkmann Corporation only.
- Properly dispose of all packaging material.

**USE CAUTION AND COMMON SENSE WHEN USING YOUR SMOKER.**

**FAILURE TO ADHERE TO THE SAFETY WARNINGS AND GUIDELINES IN THIS MANUAL  
COULD RESULT IN BODILY INJURY OR PROPERTY DAMAGE.**

**SAVE THIS MANUAL FOR FUTURE REFERENCE.**

# ASSEMBLY INSTRUCTIONS

**⚠ READ ALL SAFETY WARNINGS & INSTRUCTIONS CAREFULLY BEFORE ASSEMBLING AND OPERATING YOUR SMOKER.**

**FOR MISSING PARTS, PLEASE CALL CUSTOMER SERVICE AT 1-800-527-0717.**

*(Proof of purchase will be required.)*

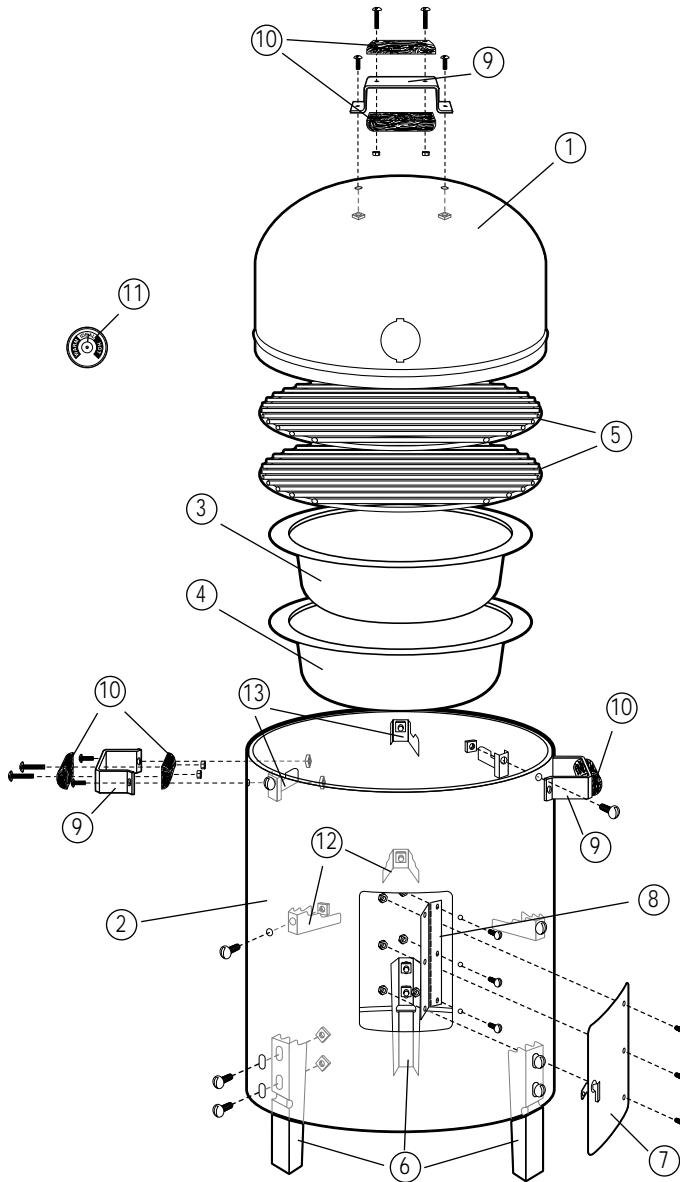
*Inspect contents of the box to ensure all parts are included and undamaged.*

Tools required to assemble your Smoker:

- Flathead screwdriver
- Pliers

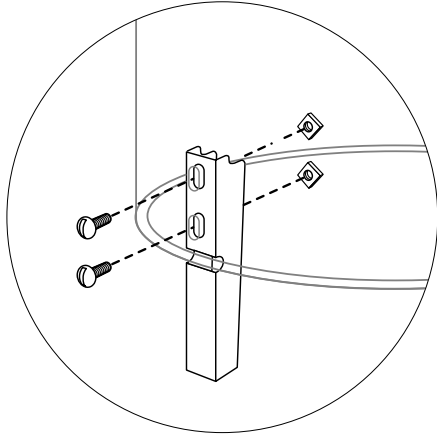
## PARTS LIST:

- ① 1 Dome Lid
- ② 1 Smoker Body
- ③ 1 13½" Water Pan
- ④ 1 15½" Charcoal Pan
- ⑤ 2 15½" Chrome Cooking Grills
- ⑥ 3 Legs
- ⑦ 1 Door
- ⑧ 1 Door Hinge
- ⑨ 3 Metal Brackets for Handles
- ⑩ 6 Wooden Handle Halves
- ⑪ 1 Heat Indicator
- ⑫ 3 Lower Support Brackets (V Clip)
- ⑬ 3 Upper Support Brackets (Single Clip)
- 18 10-24 x ¾" Screws and Square Nuts
- 6 6-32 x ¼" Screws and Nuts (for Door)
- 6 8-32 x ¾" Screws and Nuts (for Handles)
- 1 Recipe Booklet
- Wood Chunk (sample)

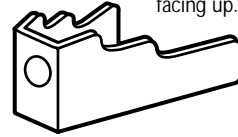


STEP 1:

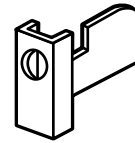
- a. Attach the three legs to smoker body using 10-24 x 3/8" screws and square nuts as illustrated.



Lower support bracket (V-clip) with notched side facing up.

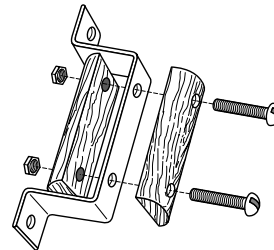


Upper support bracket with notched side facing up.



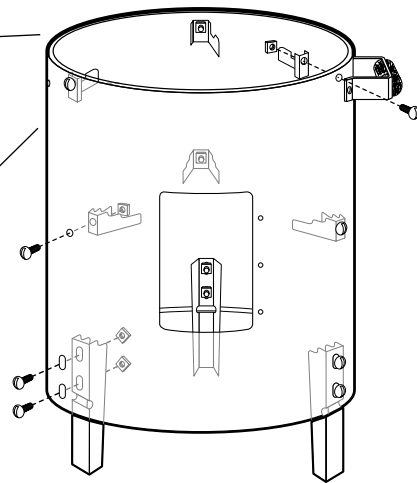
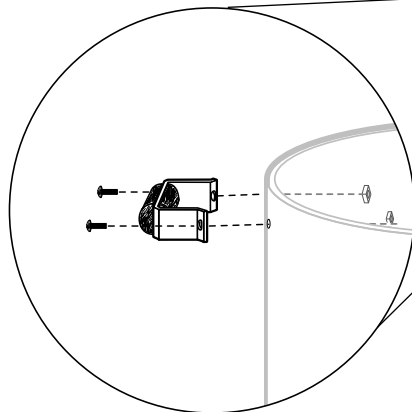
STEP 2:

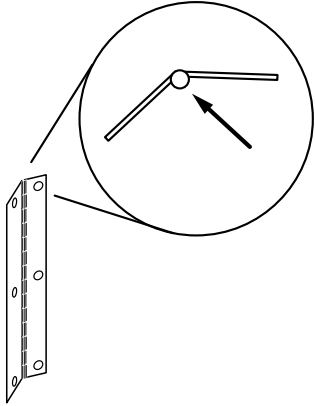
- a. Attach the three lower support brackets (V clips) to inside of smoker body through the three 1/4" holes that are located about halfway down on sides. Mount each bracket with notched side facing up using 10-24 x 3/8" screws and square nuts. Tighten screws securely.
- b. Attach the three upper support brackets (single clips) to inside of smoker body through the three 1/4" holes located near the top edge. Mount each bracket with notched side facing up using 10-24 x 3/8" screws and square nuts. Tighten screws securely.



STEP 3:

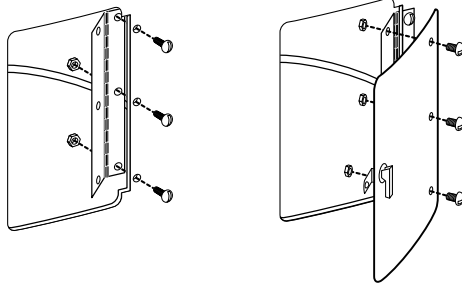
- a. Attach wooden handle halves to metal brackets using 8-32 x 3/4" screws and nuts as illustrated.
- b. Attach two handle assemblies to side of smoker body using 10-24 x 3/8" screws and square nuts as illustrated.





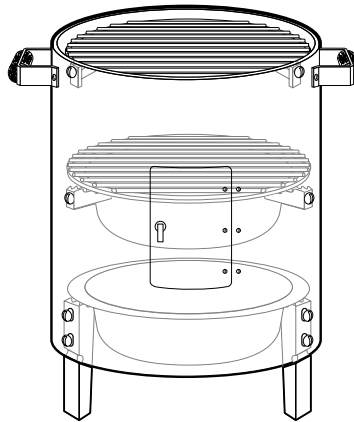
**STEP 4:**

- a. Attach hinge to inside of smoker body as illustrated. Use the 6-32 x 1/4" screws and nuts to attach the hinge to smoker body.  
NOTE: Attach the hinge so pin is facing out of smoker as illustrated.
- b. Attach door to hinge using the remaining 6-32 x 1/4" screws and nuts.



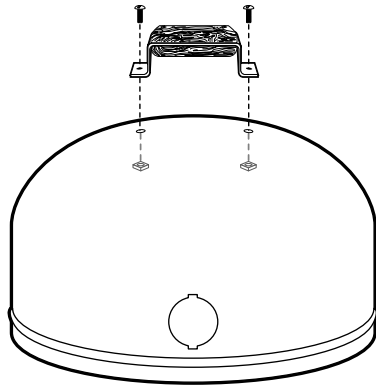
**STEP 5:**

- a. Place charcoal pan inside smoker body on top of legs. Position charcoal pan so the rim is resting securely on notched out step of all three legs.
- b. Place water pan on top of lower support brackets. Position water pan so the rim is resting securely on notched out step of all three support brackets.
- c. Place a cooking grill on the lower support brackets directly on top of water pan.
- d. Place a cooking grill on the upper support brackets so the outer rim is resting securely on notched out step of all three support brackets.

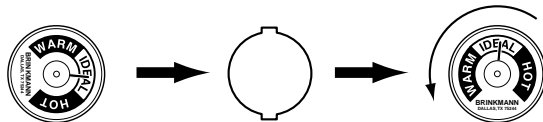


STEP 6:

- a. Attach a handle assembly on top of dome lid using 10-24 x 3/8" screws and square nuts.



- b. Install heat indicator in dome lid by aligning tabs on heat indicator with slots in the opening on front of dome lid. Insert and turn 1/4 revolution until the word "IDEAL" on the heat indicator is at the top of the dial.



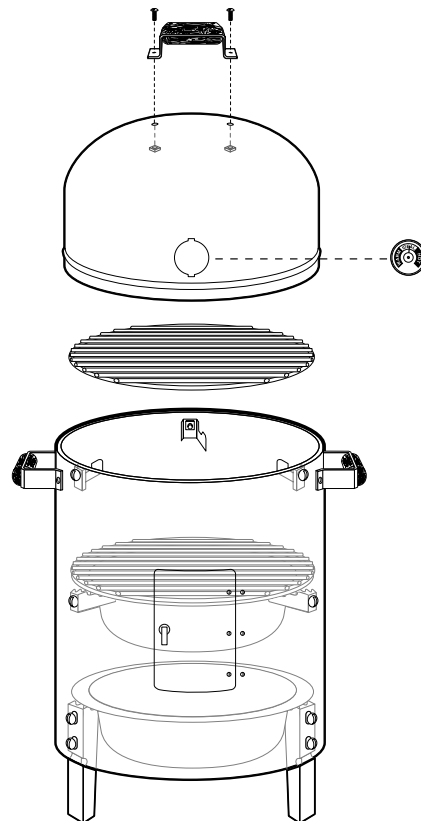
- c. Place dome lid on upper support brackets of smoker body.

NOTE: The dome lid is not designed to fit snugly in the smoker body. The gap between the dome lid and smoker body allows proper air draft and circulation.

YOUR CHARCOAL SMOKER  
IS NOW COMPLETELY ASSEMBLED.

**IMPORTANT:** Before first use and after cleaning, apply a light coat of vegetable oil or vegetable cooking spray to the interior surface of the dome lid, smoker body, cooking grills and water pan. This simple process will help reduce interior rusting. DO NOT apply oil to the charcoal pan.

**READ ALL SAFETY WARNINGS AND OPERATING INSTRUCTIONS  
PRIOR TO USING YOUR SMOKER.**



# OPERATING INSTRUCTIONS

**⚠ PLACE THE SMOKER OUTDOORS ON A HARD, LEVEL, NON-COMBUSTIBLE SURFACE AWAY FROM ROOF OVERHANG OR ANY COMBUSTIBLE MATERIAL. NEVER USE ON WOODEN OR OTHER SURFACES THAT COULD BURN. PLACE THE SMOKER AWAY FROM OPEN WINDOWS OR DOORS TO PREVENT SMOKE FROM ENTERING YOUR HOUSE. IN WINDY WEATHER, PLACE THE SMOKER IN AN OUTDOOR AREA THAT IS PROTECTED FROM THE WIND.**

**⚠ READ ALL SAFETY WARNINGS & INSTRUCTIONS CAREFULLY BEFORE ASSEMBLING AND OPERATING YOUR SMOKER.**

## Curing Your Smoker



Prior to first use, cure your smoker to minimize damage to the exterior finish as well as rid the smoker of paint odor that can impart unnatural flavors to the first meal prepared. Cure your smoker periodically throughout the year to protect against rust.

1. Remove water pan from smoker. Lightly coat all interior surfaces of the smoker and cooking grill with vegetable oil or vegetable oil spray. Do not coat charcoal pan.
2. Follow instructions carefully in the "Smoking" section of this owner's manual to light charcoal in charcoal pan.

**⚠ WARNING:** Charcoal lighting fluid must be allowed to completely burn off prior to closing dome lid (approximately 20 minutes). Failure to do this could trap fumes from charcoal lighting fluid in smoker and may result in a flash-fire or explosion when lid is opened.

3. With coals burning strong in charcoal pan, close dome lid.
4. Allow temperature to reach the "Ideal" range on the heat indicator. Maintain this temperature for two hours, then allow smoker to cool completely. It is important that the exterior of the smoker is not scraped or rubbed during the curing process.

**IMPORTANT:** To protect your smoker from excessive rust, the unit must be cured periodically and covered at all times when not in use. A smoker cover may be ordered directly from Brinkmann by calling 1-800-468-5252.

## Smoking

**⚠ CAUTION:** Before each use, check handles and support brackets to make sure they are securely fastened.

1. Remove dome lid, cooking grills and water pan from smoker body and set aside.
2. Place a drip pan/ash guard or its equivalent under the base pan to catch any ashes or drippings.

**NOTE:** Heavy-duty aluminum foil folded several times can be used as a drip pan/ash guard. Make the foil sheets large enough so it extends beyond the legs of the smoker. Fold the edges up to contain any embers and drippings. Place a thin layer of water in drip pan/ash guard to help extinguish falling ashes and embers.

3. Open the door on the smoker body. Make sure the charcoal pan is resting securely on notched out step of all three legs.

**⚠ WARNING:** Never use charcoal that has been pre-treated with lighter fluid. Use only high grade plain charcoal or charcoal/wood mixture.

4. If using a Charcoal Chimney Starter, follow all manufacturer's warnings and instructions regarding the use of their product. Carefully place 8-10 pounds of hot coals in the charcoal pan. Proceed to Step 7.

If using charcoal lighting fluid, follow all manufacturer's warnings and instructions regarding the use of their product. Use charcoal lighting fluid approved for lighting charcoal ONLY. Do not use gasoline, kerosene or alcohol for lighting charcoal. Place 8-10 pounds of high quality charcoal in charcoal pan.

5. Saturate charcoal with lighting fluid and wait 2 to 3 minutes for fluid to soak in. Store charcoal lighting fluid safely away from smoker.
6. Carefully light the charcoal and allow to burn until covered with a light ash (approximately 20 minutes) prior to closing door and placing dome lid on smoker. This will allow charcoal lighting fluid to burn off.

**⚠ WARNING:** Failure to do this could trap fumes from charcoal lighting fluid in smoker and may result in a flash-fire or explosion when door is opened or dome lid is removed.

7. Refer to "Flavoring Wood" section of this manual for the recommended amount of flavoring wood. Use long cooking tongs to carefully place flavoring wood on top of hot charcoal.

**NOTE:** Depending on the weather, a full pan of charcoal will burn for 5-6 hours.

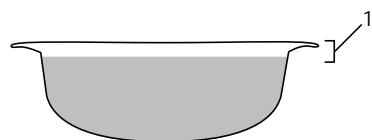
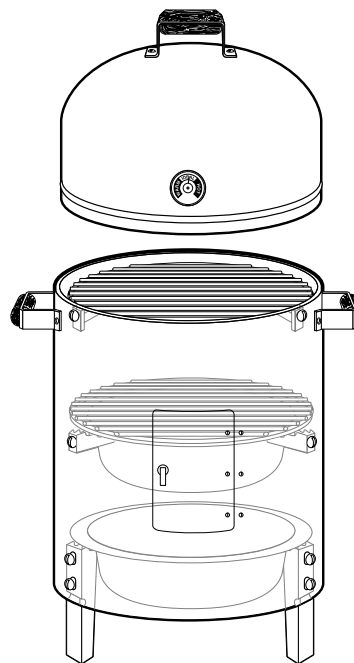
8. Place the water pan on the lower support brackets. Make sure water pan is resting securely on notched out step of all three support brackets.
9. Carefully fill water pan with warm water or marinade to 1" below the rim. A full pan holds 4 quarts/1 gallon of water and will last 2-3 hours. Do not overfill and allow water to overflow from water pan.
10. Place a cooking grill on the lower support brackets directly on top of the water pan. Position the cooking grill so the rim is resting securely on notched out step of all three support brackets.
11. Place food on the cooking grill in a single layer with space between each piece. This will allow smoke and moist heat to circulate evenly around all pieces.
12. Place the other cooking grill on the upper support brackets. Position the cooking grill so the rim is resting securely on notched out step of all three support brackets. Place food on the cooking grill.
13. Place the dome lid on smoker body and allow food to cook.

14. After 2-3 hours of cooking, check water and charcoal levels by following instructions in the "Adding Water During Cooking and Adding Charcoal/Wood During Cooking" sections of this manual.

**⚠ WARNING:** Do not allow liquid in water pan to completely evaporate. Always keep water in water pan as long as coals are still burning. Water will evaporate and grease in water pan can catch on fire.

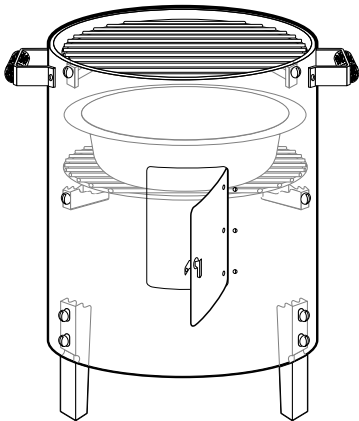
15. Always use a meat thermometer to ensure food is fully cooked before removing from smoker.

16. Allow smoker to cool, then follow instructions in the "After-Use Safety and Proper Care & Maintenance" sections of this manual.

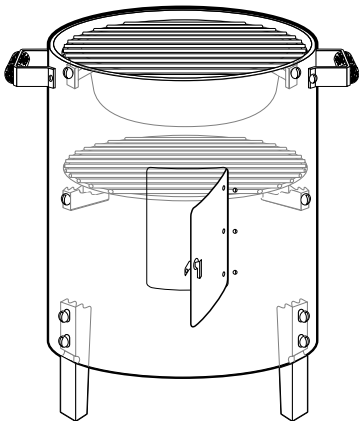


## Grilling & Searing

Grilling



Searing



1. Remove dome lid, cooking grills, water and charcoal pans from smoker body and set aside.
2. Place a drip pan/ash guard or its equivalent under the grill to catch embers, ashes or drippings.

**NOTE:** Heavy-duty aluminum foil folded several times can be used as a drip pan/ash guard. Make the foil sheets large enough so it extends beyond the legs of the smoker. Fold the edges up to contain any embers and drippings. Place a thin layer of water in drip pan/ash guard to help extinguish falling ashes and embers.

3. **Open the door on the smoker body.** Place a cooking grill on lower support brackets.
4. If grilling food, place the charcoal pan on top of the cooking grill on lower support brackets.

If searing food, place the charcoal pan on the upper support brackets. Make sure charcoal pan is resting securely on notched out step of all three support brackets.

**WARNING:** It is very important that the rim of charcoal pan is securely locked into the notches of upper support brackets. Doing so will hold the pan in place on brackets and prevent pan with hot coals from falling.

**WARNING:** Never use charcoal that has been pre-treated with lighter fluid. Use only high grade plain charcoal or charcoal/wood mixture.

5. If using a Charcoal Chimney Starter, follow all manufacturer's warnings and instructions regarding the use of their product. Carefully place 4-5 pounds of hot coals in the charcoal pan. Proceed to Step 7.

If using charcoal lighting fluid, follow all manufacturer's warnings and instructions regarding the use of their product. Use charcoal lighting fluid approved for lighting charcoal ONLY. Do not use gasoline, kerosene or alcohol for lighting charcoal. Place 4-5 pounds of high quality charcoal in charcoal pan.

6. Saturate charcoal with lighting fluid and wait 2 to 3 minutes for fluid to soak in. Store charcoal lighting fluid safely away from grill.
7. Leaving the dome lid off and the door open, carefully light the charcoal and allow to burn until covered with a light ash (approximately 20 minutes). This will allow charcoal lighting fluid to burn off.

**WARNING:** Failure to do this could trap fumes from charcoal lighting fluid in grill and may result in a flash-fire or explosion when door is opened or dome lid is removed.

8. If grilling food, place a cooking grill on upper support brackets.

If searing food, place a cooking grill on top of charcoal pan on upper support brackets.

**CAUTION:** The charcoal grill will be VERY HOT and caution must be used when working in or around the grill. Use oven mitts/gloves to protect your hands from burns.

9. Place food on the cooking grill in a single layer with space between each piece and allow food to cook.

**WARNING:** If a flame flare-up occurs while grilling, cover grill with dome lid to limit airflow and extinguish the flare-up.

10. Always use a meat thermometer to ensure food is fully cooked before removing from smoker.

11. Allow grill to cool, then follow instructions in the "After-Use Safety and Proper Care & Maintenance" sections of this manual.

To obtain your favorite smoke flavor, experiment by using chunks, sticks or chips of flavor producing wood such as hickory, pecan, apple, cherry, or mesquite. Most fruit or nut tree wood may be used for smoke flavoring. Do not use resinous woods such as pine as it will produce an unpleasant taste.

Wood chunks or sticks 3" to 4" long and ½" to 1" thick work best. Unless the wood is still green, soak the wood in water for 20 minutes or wrap each piece in foil and tear several small holes in the foil to produce more smoke and prevent the wood from burning too quickly. A lot of wood is not required to obtain a good smoke flavor. A recommended amount is 3-4 wood chunks or sticks. Experiment by using more wood for stronger smoke flavor or less wood for milder smoke flavor.

---

Additional flavoring wood should not have to be added during the cooking process, however, it may be necessary when cooking very large pieces of meat. Follow the instructions and cautions below to avoid injury while adding wood and/or charcoal.

Additional charcoal may be required to maintain or increase cooking temperature.

**NOTE:** Dry wood burns hotter than charcoal so you may want to increase the ratio of wood to charcoal to increase the cooking temperature. Hardwood such as oak, hickory, mesquite, fruit and nut wood are an excellent fuel because of their burning rate. When using wood as fuel, make sure the wood is seasoned and dry. **DO NOT** use resinous wood such as pine as it will produce an unpleasant taste.

1. Remove dome lid by tilting it toward you to allow heat and steam to escape away from your face. Use caution since flames can flare-up when fresh air suddenly comes in contact with fire.
2. Stand back a safe distance and carefully open door.

**⚠ CAUTION:** When the smoker is in use, the door will be very hot. Wear oven mitts and use caution when handling the door.

3. Use long cooking tongs to lightly brush off ashes on hot coals. Use tongs to add charcoal and/or wood, being careful not to stir-up ashes and sparks.

**⚠ WARNING:** Never add charcoal lighting fluid to hot or even warm coals as flashback may occur causing severe burns.

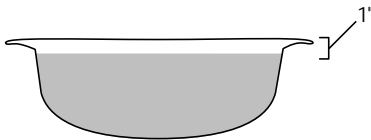
4. When charcoal is burning strong again, close the door and replace the dome lid.

## Flavoring Wood



## Adding Charcoal/Wood During Cooking

## Adding Water During Cooking



Check the water level in water pan if the complete cooking process takes longer than 2 hours. A low water level can be detected by listening for the sound of water sizzling. Water can be added to the water pan through the top of smoker or through the door. Use caution and follow instructions carefully.

### OPTION 1: Adding Water Through Top of Smoker

1. Remove dome lid by tilting it toward you to allow heat and steam to escape away from your face. Use caution since flames can flare-up when fresh air suddenly comes in contact with fire. Inspect the water level in pan.
2. If water level is low, add water to water pan. If food is on top cooking grill only, water may be added to the water pan by moving food aside on cooking grill and pouring water down through the cooking grill. Fill water pan to 1" below the rim. Pour slowly to avoid splashing or over-filling.

If using both cooking grills, wear oven mitts to remove food and the top cooking grill. Move food aside on lower cooking grill and pour water through the lower cooking grill into water pan. Pour slowly to avoid splashing or over-filling.

3. Set the top cooking grill on the upper support brackets and place food back on the cooking grill.
4. Place dome lid on smoker body and allow food to continue cooking.

### OPTION 2: Adding Water Through the Door

1. Stand back and carefully open side door. Use caution since flames can flare-up when fresh air suddenly comes in contact with fire. Inspect the water level in pan.
2. If water level is low, add water to water pan. Stand back and carefully add water using a funnel or a container with a spout. Fill water pan to 1" below the rim. Pour slowly to avoid splashing or overfilling.
3. Close side door and allow food to continue cooking.

## Cooking Tips

- There is very little difference in temperature and cooking time between top and bottom grill levels. When cooking different types or cuts of meat at the same time, place the meat that requires the least cooking time on the top cooking grill so that it may be easily removed first. If only one cooking grill is required, use the upper grill level for best results.
- During the smoking process, avoid the temptation to lift dome lid to check food. Lifting the dome lid allows heat to escape, making additional cooking time necessary.
- We strongly recommend using a meat thermometer to determine the proper degree of doneness. Many variables (outside cooking temperature, amount of charcoal, the number of times the dome lid is removed, proximity of food to heat source, etc.) will affect actual cooking times. When using a meat thermometer, place probe midway into the thickest part of the meat, making sure that it does not touch any fat or bone. Allow five minutes for the thermometer to properly register temperature.

# AFTER-USE SAFETY

## WARNING

- Always allow smoker and all components to cool completely before handling.
- Never leave coals and ashes in smoker unattended.
- Before grill can be left unattended, remaining coals and ashes must be removed from smoker. Use caution to protect yourself and property. Place remaining coals and ashes in a noncombustible metal container or leave in charcoal pan and completely saturate with water. Allow coals and water to remain in metal container 24 hours prior to disposing.
- With a garden hose, completely wet surface beneath and around the smoker to extinguish any ashes, coals or embers which may have fallen during the cooking or cleaning process.
- Extinguished coals and ashes should be placed a safe distance from all structures and combustible materials.
- Cover and store smoker in a protected area, out of reach of children.

- Wash cooking grills, water and charcoal pans with hot, soapy water, rinse well and dry. Lightly coat cooking grills with vegetable oil or vegetable cooking spray.
- Clean inside and outside of smoker by wiping off with a damp cloth. After cleaning, apply a light coat of vegetable oil or vegetable cooking spray to the interior surface of the dome lid, smoker body, cooking grills and water pan. This simple process will help reduce interior rusting. DO NOT apply oil to the charcoal pan.

NOTE: Smoke will accumulate and leave a black residue in the dome lid of your smoker that may drip onto food during cooking. To minimize accumulation of residue, wipe off dome lid after each use.

- If rust appears on the exterior surface of your smoker, clean and buff the affected area with steel wool or fine grit emery cloth. Touch-up with a good high-temperature resistant paint.
- Never apply paint to the interior surface. Rust spots on the interior surface can be buffed, cleaned, then lightly coated with vegetable oil or vegetable cooking spray to minimize rusting.
- To protect your smoker from excessive rust, the unit must be properly cured periodically and covered at all times when not in use. A smoker cover may be ordered directly from Brinkmann by calling 1-800-468-5252.

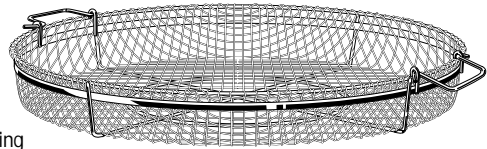
## Proper Care & Maintenance

## ACCESSORIES



**The Art of Smoke Cooking Cookbook**  
Contains 40 exciting yet simple recipes using the delicious technique of smoke cooking. Beautifully photographed full-color, sixty-six page hardback cookbook presents old favorites as well as new recipes such as smoked meatballs & spaghetti, smoked pizza, smoked tomato soup and smoked peach cobbler.

**Model 812-3327-0**



### Smoker Basket

The unique basket weave prevents food from falling through the grill while allowing smoke, steam and heat to flow into the food. Great for fish, shrimp, vegetables and hors d'oeuvres. Also, provides a convenient method for lifting food in and out of the smoker. Great for large cuts of meat such as turkeys and roasts.

**Model 812-3333-0**



### Hickory & Mesquite Smoking Wood

Select hickory or mesquite wood chunks greatly enhance the flavor of meat and vegetables when smoking or grilling. Can also be used as a fuel instead of charcoal. Packaged in a 10 lb. bag, these chunks work great with either charcoal, electric or LP gas smokers.

**Model 812-3440-0 (Hickory)**

**Model 812-3450-0 (Mesquite)**

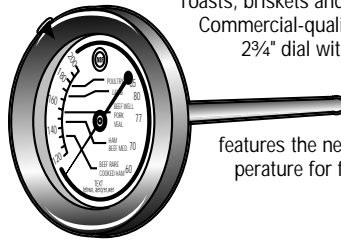
### Commercial-Quality Meat Thermometer

An essential tool when cooking all types of meat. Get perfectly smoked roasts, briskets and turkeys without cutting into the meat.

Commercial-quality thermostat features an easy-to-read 2 $\frac{3}{4}$ " dial with a 5 $\frac{1}{2}$ " stem. Features Fahrenheit and Centigrade readings and National Livestock and Meat Board recommended temperatures. Also

features the newly recommended 170°F internal temperature for fresh pork. Stainless steel construction and dishwasher safe.

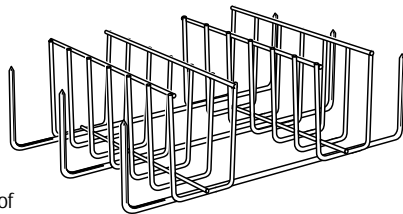
**Model 812-4100-0**



### Rib Rack

Chrome-plated rack can greatly increase the cooking capacity of your smoker. Holds ribs, chicken halves, potatoes and corn vertically to triple cooking capacity. Allows smoke, steam and heat to penetrate food evenly.

**Model 812-3310-0**



### Smoker's Blend Charcoal

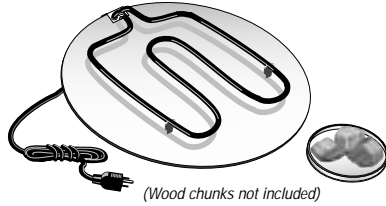
This blend of all natural charcoal and smoking wood briquets burns longer than regular charcoal and also adds smoke without adding wood chunks. The result is a deeper, richer, smoked flavor.

Available in hickory or mesquite in a 10 lb. bag.

**Model 812-4040-0 (Hickory)**

**Model 812-4030-0 (Mesquite)**

## ACCESSORIES



(Wood chunks not included)

### Electric Converter for Charcoal Smokers

The Electric Converter will convert most Brinkmann or Cook'N Ca'jun charcoal smokers with an open bottom into an electric smoker in minutes (will not work with Cook'N Carry, Gourmet Charcoal and Cook'N Ca'jun S-80 models). Simply replace the charcoal pan with the electric converter and place wood chunks in metal tray provided. The 1500-watt electric element provides consistent heat and temperature. The constant electric heat source is great for long smoking times and smoking in cold weather. It's so easy to use, simply plug it in and you're ready to smoke!

**Model 812-3323-0**



### Smoke'N Spice Seasoning

These custom blended spices are a delicious marinade seasoning for smoke cooking and grilling. Contains no MSG. Available in red and white meat varieties in a money-saving 2-pack.

**Model 812-3322-0/Twin Pack (Red & White)**

**Model 812-3324-0/Red Meat**

**Model 812-3325-0/White Meat**

### Drip Pan/Ash Guard

The drip pan/ash guard catches falling embers, ashes and drippings when placed under your smoker or grill. Rust resistant and sized to fit all Brinkmann and Cook'N Ca'jun vertical smokers.

**Model 812-3309-0**



### Chicken and Turkey Racks

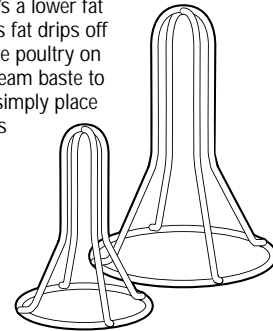
These chromed steel racks hold chicken, cornish hen, duck or turkey upright and are ideal for smoking or oven roasting poultry. The rack allows the meat to cook from the inside as well as from the outside. This speeds up cooking time, seals in flavorful juices and promotes even browning of skin. It's a lower fat way to cook poultry because excess fat drips off the meat. When oven roasting, place poultry on rack in a shallow pan of water to steam baste to tender perfection. When smoking, simply place poultry on rack atop the grill. Makes carving easier, too.

**Chicken Racks (set of 2)**

**Model 885-9015-0**

**Turkey Rack**

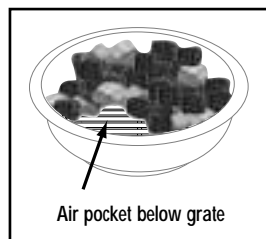
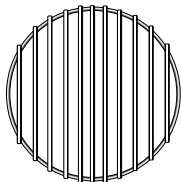
**Model 885-9025-0**



### Charcoal Heat Booster Grate

The heat booster grate sits in the bottom of the charcoal pan leaving an air pocket below the charcoal which provides better airflow. This results in a hotter and more evenly burning charcoal. Ashes drop through the grate, prolonging the burning rate of the charcoal for more efficient and economical use. Designed for use with Brinkmann and Cook'N Ca'jun vertical smokers. Does not work with Gourmet charcoal or Cook'N Ca'jun S-80 models.

**Model 115-0001-0**



Air pocket below grate



### Smoke'N Jacket Vertical Smoker Cover

This durable, weather-resistant vinyl cover protects your smoker from the elements all year long. Designed to fit Brinkmann and Cook'N Ca'jun double-grill vertical smokers. Black.

**Model 812-3321-0**

LOOK FOR THESE AND OTHER BRINKMANN ACCESSORIES AT YOUR LOCAL RETAILER WHERE SMOKERS ARE SOLD, OR ORDER DIRECT BY CALLING 1-800-468-5252.

©1998 The Brinkmann® Corporation  
Dallas, Texas 75244

www.brinkmanncorp.com

## ONE YEAR LIMITED WARRANTY

For one year from date of purchase, The Brinkmann Corporation warrants this charcoal smoker against defects due to workmanship or materials to the original purchaser. The Brinkmann Corporation's obligations under this warranty are limited to the following guidelines:

- This warranty does not cover smokers that have been altered or damaged due to: normal wear, rust, abuse, improper maintenance, improper use, disassembly of parts and/or attempted repair by anyone other than an authorized employee of The Brinkmann Corporation.
- This warranty does not cover surface scratches or heat damage to the finish, which is considered normal wear.
- The Brinkmann Corporation may elect to repair or replace damaged units covered by the terms of this warranty.
- This warranty extends to the original purchaser only and is not transferable or assignable to subsequent purchasers.

The Brinkmann Corporation requires reasonable proof of purchase. Therefore, we strongly recommend that you retain your sales receipt or invoice. To obtain repair or replacement of your charcoal smoker under the terms of this warranty, please call Customer Service Department at 1-800-527-0717 for a Return Authorization Number and further instructions. A receipt will be required. A Return Authorization Number must be clearly marked on the outside of the box. The Brinkmann Corporation will not be responsible for any smokers forwarded to us without a Return Authorization Number.

EXCEPT AS ABOVE STATED, THE BRINKMANN CORPORATION MAKES NO OTHER EXPRESS WARRANTY.

THE IMPLIED WARRANTIES OF MERCHANTABILITY AND FITNESS FOR A PARTICULAR PURPOSE ARE LIMITED IN DURATION TO ONE YEAR FROM THE DATE OF PURCHASE. SOME STATES DO NOT ALLOW LIMITATIONS ON HOW LONG AN IMPLIED WARRANTY LASTS, SO THE ABOVE LIMITATION MAY NOT APPLY TO YOU.

ANY LIABILITY FOR INDIRECT, INCIDENTAL OR CONSEQUENTIAL DAMAGES ARISING FROM THE FAILURE OF THIS CHARCOAL SMOKER TO COMPLY WITH THIS WARRANTY OR ANY IMPLIED WARRANTY IS EXCLUDED. CUSTOMER ACKNOWLEDGES THAT THE PURCHASE PRICE CHARGED IS BASED UPON THE LIMITATIONS CONTAINED IN THE WARRANTY SET OUT ABOVE. SOME STATES DO NOT ALLOW THE EXCLUSION OR LIMITATION OF INCIDENTAL OR CONSEQUENTIAL DAMAGES, SO THE ABOVE LIMITATION OR EXCLUSION MAY NOT APPLY TO YOU. THIS WARRANTY GIVES YOU SPECIFIC LEGAL RIGHTS, AND YOU MAY ALSO HAVE OTHER RIGHTS WHICH VARY FROM STATE TO STATE.